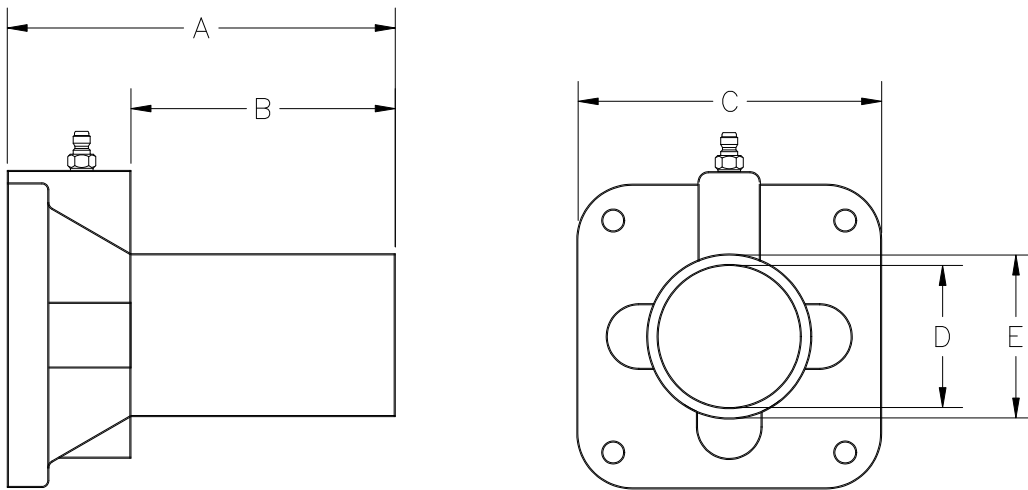


OPERATING SPECIFICATIONS



SERIES 32620 DUCT ENTRY ADAPTER

- The duct entry adapter is used in conjunction with series 32600 flexible cable guides for guiding a cable into the entrance of a conduit.



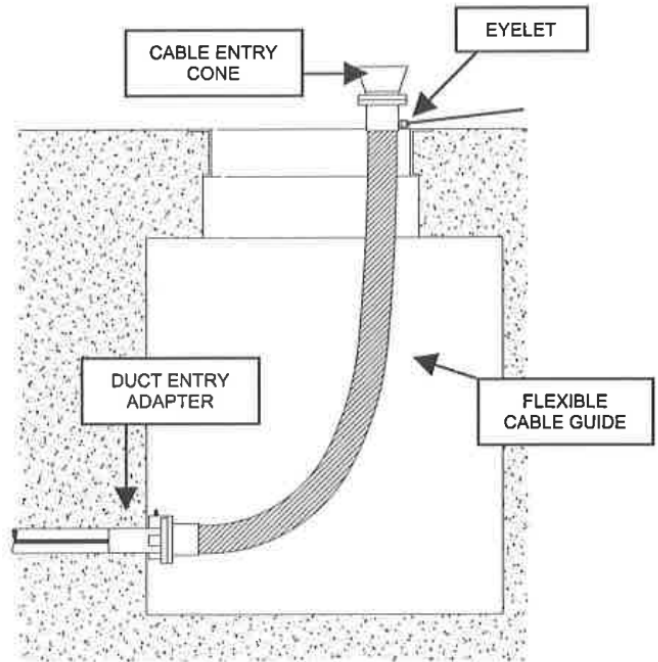
Part Number	Description	A	B	C	D	E	Net Weight
32620-420	4" Guide for 2" Duct	7-1/2" 190 mm	4-1/2" 115 mm	5-1/2" 140 mm	1-9/16" 40 mm	1-15/16" 50 mm	2.4 lb 1.1 kg
32620-425	4" Guide for 2-1/2" Duct	7-1/4" 184 mm	4-1/2" 114 mm	5-1/2" 140 mm	1-15/16" 49 mm	2-11/32" 60 mm	2.5 lb 1.1 kg
32620-430	4" Guide for 3" Duct	7" 180 mm	4-3/4" 120 mm	5-1/2" 140 mm	2-9/16" 65 mm	2-15/16" 75 mm	2.6 lb 1.2 kg
32620-440	4" Guide for 4" Duct	7" 180 mm	5" 130 mm	5-1/2" 140 mm	3-9/16" 90 mm	3-15/16" 100 mm	2.6 lb 1.2 kg
32620-550	5" Guide for 5" Duct	9" 230 mm	6-1/2" 165 mm	6-1/2" 165 mm	4-7/16" 110 mm	4-15/16" 125 mm	3.2 lb 1.5 kg
32620-630	6" Guide for 3" Duct	9-1/2" 240 mm	6-1/4" 160 mm	7-1/2" 190 mm	2-3/8" 60 mm	2-7/8" 73 mm	3.0 lb 1.4 kg
32620-635	6" Guide for 3-1/2" Duct	9-1/2" 240 mm	6-1/4" 160 mm	7-1/2" 190 mm	2-29/32" 74 mm	3-7/16" 87 mm	3.0 lb 1.4 kg
32620-640	6" Guide for 4" Duct	9-1/2" 240 mm	6-1/4" 160 mm	7-1/2" 190 mm	3-7/16" 85 mm	3-15/16" 100 mm	3.8 lb 1.7 kg
32620-650	6" Guide for 5" Duct	9" 230 mm	6-3/4" 170 mm	7-1/2" 190 mm	4-7/16" 110 mm	4-15/16" 125 mm	4.0 lb 1.8 kg
32620-655	6" Guide for 5-1/2" Duct	9" 230 mm	6-3/4" 170 mm	7-1/2" 190 mm	4-15/16" 125 mm	5-7/16" 139 mm	4.0 lb 1.8 kg
32620-660	6" Guide for 6" Duct	11" 280 mm	8-3/4" 220 mm	7-1/2" 190 mm	5-7/16" 135 mm	5-15/16" 150 mm	4.5 lb 2.0 kg

Dimensions and weights subject to change without notice.

Entry adapters are sized to fit a Schedule 40 duct.

INSTALLATION

1. Select the duct entry adapter (series 32620) to suit the duct size and attach to one end of flexible cable guide.
2. Attach additional cable guides as required to reach top of manhole.
3. Attach cable entry cone (series 32610) to end of flexible cable guide.
4. Secure flexible cable guide using ropes and eyelet provided.



SERVICE



1. Never use a worn, defective or incomplete component. Ensure that all components of the pulling systems are able to withstand the maximum pulling loads. Components not rated for the pull force may break and release the stored energy of the pull.
2. Be prepared for the unexpected. Use recognized safety practices and wear recognized safety equipment.

SERVICE



There are no replacement parts available for this product.